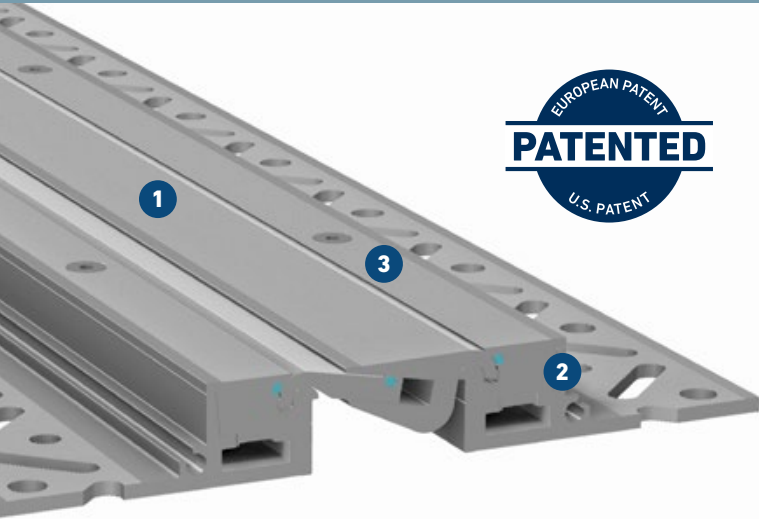


FSRX ... 30

REPLACEABLE EXPANSION JOINT COVER FOR FLOORS WITH HEAVY LOAD

MIGUTRANS

HEAVY-DUTY ALL-METAL JOINT SOLUTIONS FOR LARGE TRAFFIC LOADS



Expansion joint cover with new design Generation X

- 1 Visible surface has not gaps**
prevents accumulation of dirt, minimized cleaning time and effort
- 2 Solid all-metal expansion joint**
hard wearing, maintenance-free, long lasting
- 3 Striated surface**
ensures good skid resistance

Articulated telescoping system
absorbs movement in 3 directions

Renovation-friendly installation height of only 30 mm

Punctured leg with MIGUA mounting matrix®
Provides optimal anchoring alternatives in the underground

Now available Anodized!
Perfect match with interior design. Color-fast and light resistant.

Expansion joint cover	Joint width max.	Total movement	Visible width	Total width	Joint height	Load bearing capacity	Load bearing capacity	Load bearing capacity
	b_f [mm]	Δb_f [mm]	b_s [mm]	b_t [mm]	h [mm]	[kN]	[kN]	solid plastic tyres [kg/mm]
FSRX 111/30	50	20 (± 10)	111	240	30	300	130	10
FSRX 139/30	75	20 (± 10)	139	268	30	300	150	15
FSRX 144/30	75	30 (± 15)	144	273	30	300	130	10
FSRX 168/30	100	40 (± 20)	168	297	30	300	130	10
FSRX 180/30	116	50 (± 25)	180	309	30	30		3,5
FSRX 196/30	130	60 (± 30)	196	325	30	300	100	10

The movement component is easy to install and can be replaced without damage.

Thus, the FSRX joint cover can easily be renewed or replaced, e.g. in case of mechanical damage, wear, if a change of colour is desired or if the actual joint movements turn out to be different than expected.

Production length: 4 m

Standard colour: Aluminium, available in anodized version, too

Slip resistance according to DIN 51130 rating group R10 (across the joint), R9 (along the joint).

Wall connections and molded parts available on request.

The joint covers FSRX 139 and FSRX 180 are equipped with symmetrical movement components.

Applicable for anodized expansion joint covers:

By anodizing the surface is hardened, but scratches can not be ruled out under mechanical stress of the profiles.

Slight color and / or gloss deviations between different batches or deliveries do not constitute a reason for complaint.

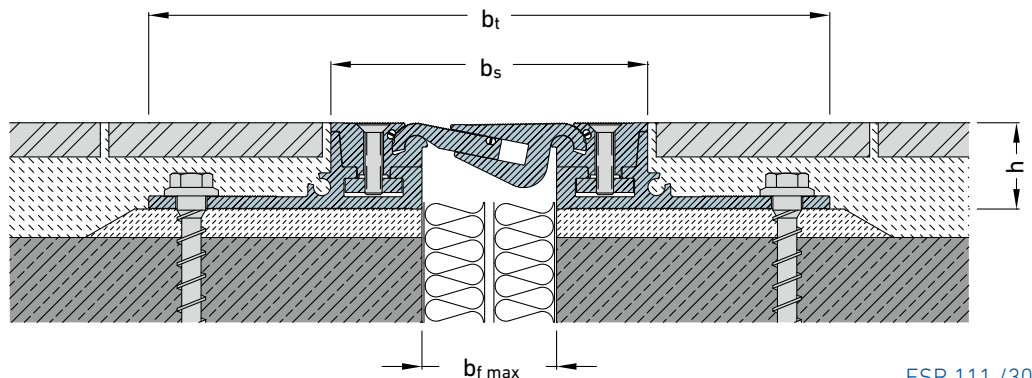
The processing is carried out in accordance with DIN 17611 and the Qualanod (Quality Label for Sulphuric Acid-Based Anodizing of Aluminium) regulations for the anodization of aluminum.

The expansion joint covers must be cleaned and maintained in accordance with the specifications of the Qualanod and the leaflet A5 of the aluminum center.

We are happy to advise you.

Standard colors based on EURAS color fans:

- C 0 Nature
 - C 31 Light
 - C 32 Light bronze
- Other colors on request.



FSRX 111 / 30