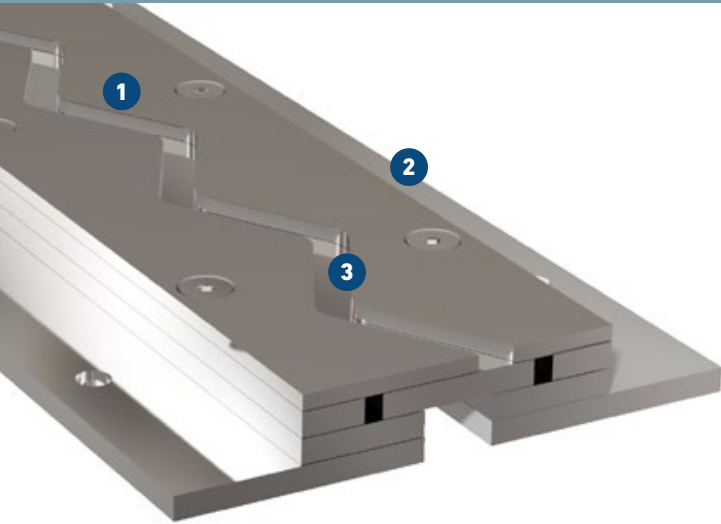


# STS 100

FOR HEAVY DUTY FLOORS

# MIGUTRANS

HEAVY-DUTY ALL-METAL JOINT SOLUTIONS  
FOR LARGE TRAFFIC LOADS



- 1 Steel-/Stainless steel-Combination**  
for highest load capacity by pallet trucks, fork lift trucks, heavy lorries, special vehicles, etc.
- 2 Transportation free from vibration from a wheel width of 100 mm**  
suitable for transport of sensitive goods
- 3 Absorbs horizontal movement (transverse and parallel)**  
Not suitable for vertical movement

Expansion joint cover	Joint width max. $b_f$ [mm]	Total movement $\Delta b_f$ [mm]	Visible width $b_s$ [mm]	Total width $b_t$ [mm]	Joint height $h$ [mm]	Load bearing capacity  [kN]	Load bearing capacity  [kN]	Load bearing capacity  solid plastic tyres [kg/mm]
STS 100/30 ES	35	20 ( $\pm 10$ )	102	182	29	600	150	75
STS 100/50 ES	35	20 ( $\pm 10$ )	102	182	49	600	150	75
STS 100/60 ES	35	20 ( $\pm 10$ )	102	182	59	600	150	75

**Production length:** 1,96 m

**Material - Visible surface:** stainless steel 304 or 316Ti **Underlying construction:** black steel, galvanized steel or stainless steel (please specify while ordering).

Larger joint width or movement capacity or special heights on request.

**Mounting distance:** 300 mm

